

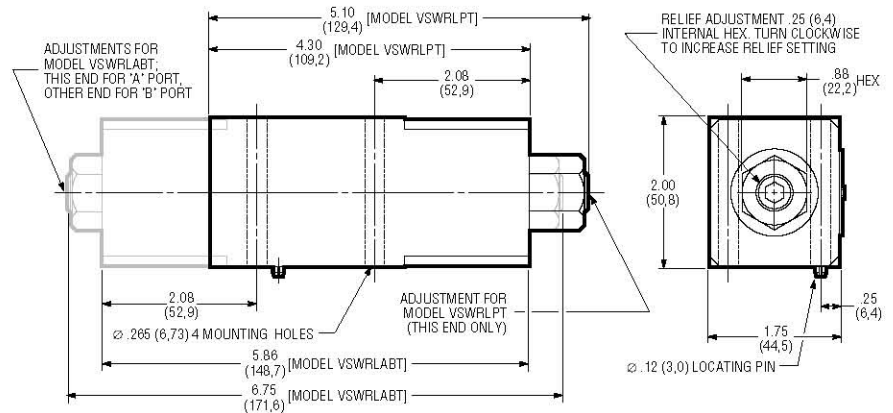
MOUNTING

Port o-rings are included with valves. Mounting bolts must be ordered separately.

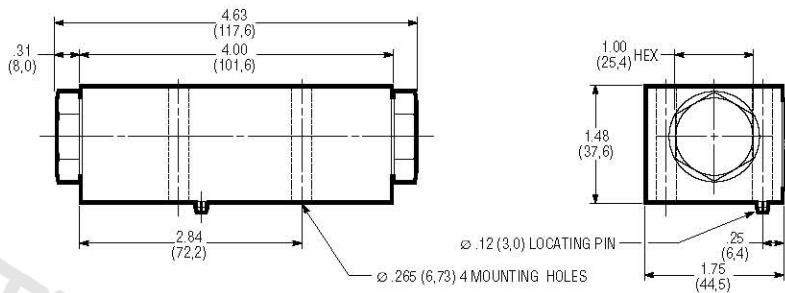
Subplates are available for mounting on the HP03 pattern. Mounting bolts are supplied as part of the subplate kit. When ordering valves and subplates together, valves are not mounted on subplate.

BOLT KITS

Item (Part Number)	Description
Bolt Kit (P11-BK-44)	For mounting one VSW-RL** on 6500 Series (HP03 pattern) valve: (4) .250-20 U.N.C. Threaded x 2.75 inches (69,8 mm) long
Bolt Kit (P11-BK-64)	For mounting one VSW-RL** on VST Series (HP03 pattern) valve: (4) .250-20 U.N.C. Threaded x 4.00 inches (101,6 mm) long
Bolt Kit (P11-BK-36)	For mounting one VSW-CHAB on 6500 Series (HP03 pattern) valve: (4) .250-20 U.N.C. Threaded x 2.25 inches (57,2 mm) long
Bolt Kit (P11-BK-56)	For mounting one VSW-CHAB on VST Series (HP03 pattern) valve: (4) .250-20 U.N.C. Threaded x 3.50 inches (88,9 mm) long



Model VSW-RLPT-HP03-10 (P→T Relief Valve) and Model VSW-RLABT-HP03-10 (A,B→T Relief Valve), Shown Printed in Gray



Model VSW-CHAB-HP03-20 (Dual Pilot Operated Check Valve)

VSW	—	RL	PT	—	HP03	—	N	—	10
Valve Type		Function		Mounting Interface		Seals		Design Number	
Sandwich Valve		CH — Check Valve RL — Relief Valve		HP03 — High Pressure, Special Mounting Pattern		No Code — Viton (Standard) N — Buna-N ^① E — EPR ^①		10 — Relief Valve 20 — Check Valve	
						① Contact the Dynex sales department for complete ordering information.			
						Options			
				Check Valve: AB — Dual Pilot Operated Check (Internally Operated)					
				Relief Valves: PT — P→T Relief (Internally Operated)					
				ABT — A,B→T Relief (Internally Operated)					

富业行 (国际) 发展公司
FULL YEAR (INT'L) TRADING CO.

香港总公司 / Hong Kong Head Office:
香港九龙葵涌华星街 8-10 号
华达工业中心 B 座 11 楼 14 室
Rm. 1114, 11 / F, Blk.B.Wah Tat Ind., Ctr.,
8-10 Wah Sing St., Kwai Chung Kln., HK.
Tel : (852) 2410 8123
Fax : (852) 2401 2440

上海富业通国际贸易有限公司 / Shanghai Office:
上海市即墨路 95 号 905 室 邮编: 200120
Rm. 905, NO.95 Ji Mo Rd.,
Shanghai, China.p.c. / 200120
电话 / Tel : (021)5878 0503
传真 / Fax: (021)5878 1552*613